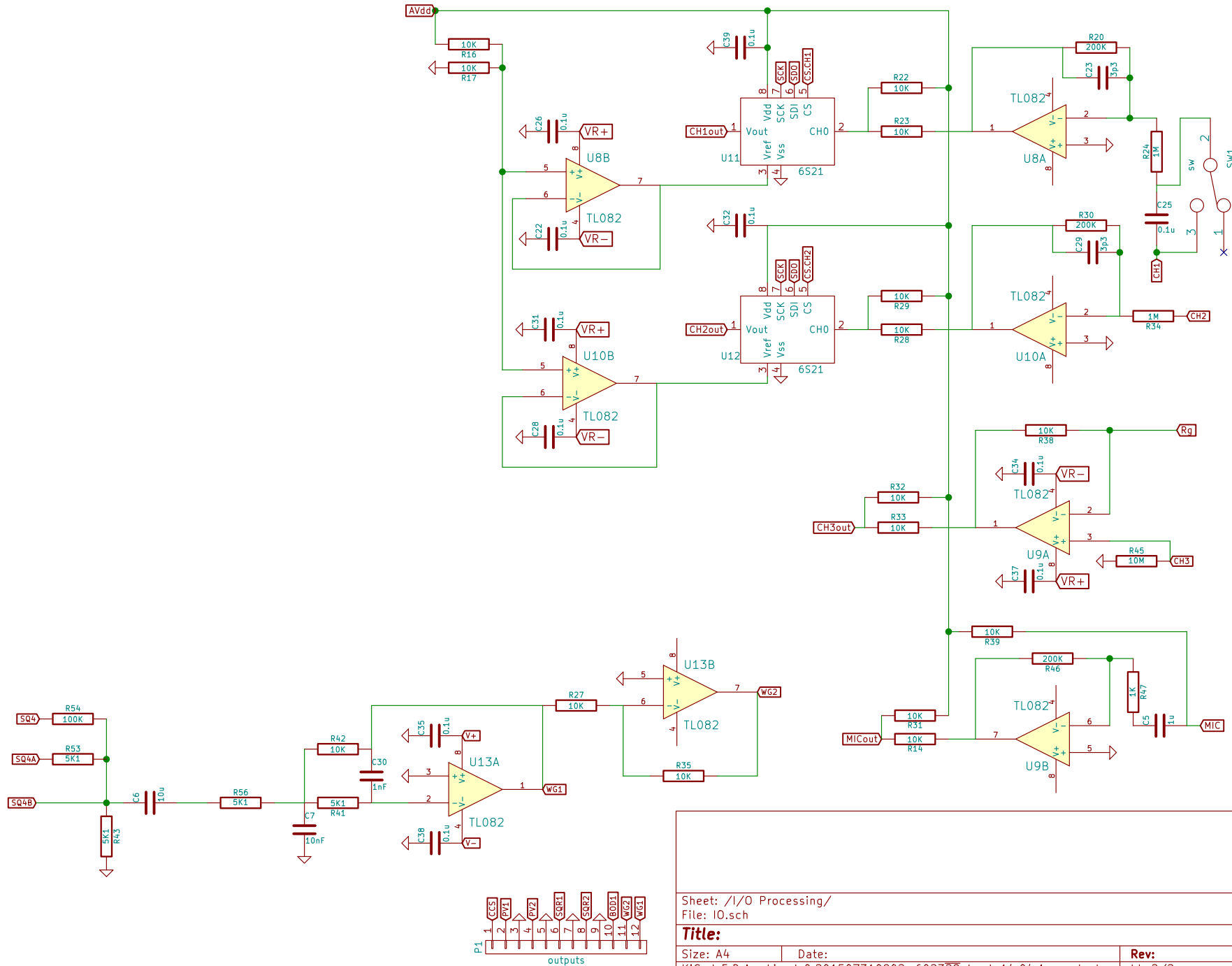


Simplified version of SEELablet	
CSpark Research	
Sheet: /	
File: proto1.sch	
Title: Seelablet Junior	
Size: A4	Date: 2016-Sep-20
KiCad E.D.A. kicad 0.201507310902+602328ubuntu14.04.1-product	Rev: 1.0
	Id: 1/2



Sheet: /I/O Processing/
 File: IO.sch
Title:
 Size: A4 Date:
 KiCad E.D.A. kicad 0.201507310902+602328ubuntu14.04.1-product Rev:
 Id: 2/2

